



Maeda MC-405 Technical specifications

Specification

Model	MC405CRM(E)
Crane capacity	3.83t x 2.7m
Max. working radius	16m
Max. lifting height	16.8m
Hook speed	10m / min. (18.0m / min.) (4 falls, 4th layer)
Single line speed	40m / min. (72.0m / min.) (4th layer)
Hoist rope	IWRC 6 x WS(26) 8mm x 95m
Telescopic system	
Boom length	4.735m - 16.475m
Telescoping speed	11.7m / 54.2 sec (41.3sec)
Boom type	Fully automatic 5 section pentagonal telescopic boom

Boom hoist system

Hoist angle / speed 0° - 80° / 24.5 sec (17.0 sec)

Slew system

Slew angle / speed 360° / 2.5 rpm (2.1 rpm)

Outrigger system

Type Extension and set up by direct acting hydraulic cylinders

Maximum extended dimensions

(Length) 5786mm x (Front) 5118mm
x (Rear) 5520mm

Traction system

Drive Hydraulic motor driven, stepless speed changer

Travel speed 0 - 3.3 km/h

Gradability 20°

Crawler length x width 2100mm x 320mm

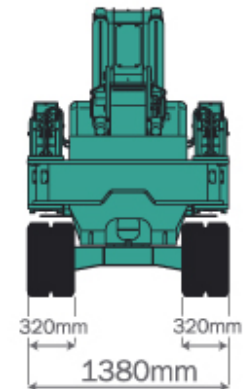
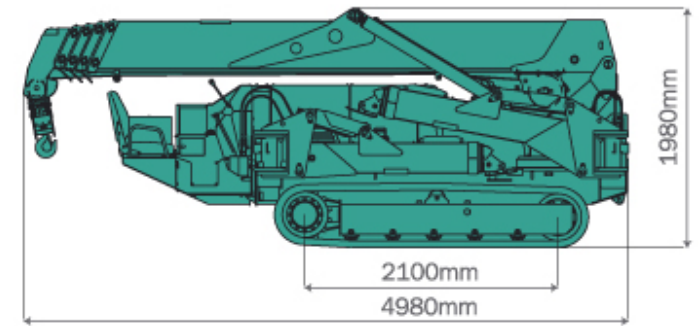
Ground pressure 49.0 (0.50) kpa (kgf/cm²)

Engine

Model Yanmar 3TNV88-PMB

Type 3 cylinder water cooled diesel

Overall Size



Outrigger Spread Dimensions

Rated output 21.8kw/2400min-1 (29.6PS/2400rpm)
 Starting method Electric
 Fuel / Fuel tank capacity Diesel/60L
 Electric Motor MC405CRME
 Type Totally enclosed fan-cooled motor
 Size 7.5kw, 4P 380V
 Remote control system
 Type Cable remote controller, micro-speed mode, load display for transmitter, outrigger operation

Dimensions
 Length x Width x Height 4980mm x 1380mm x 1980mm
 Weight MC405CRM 5600kg
 Weight MC405CRME 5750kg

Standard equipment
 Overwind protection, load indicator, hydraulic safety valve, wire rope latch, level, machine body inclination alarm, EMO switch, travel lock lever, outrigger interlock device, moment limiter, rotary lamp, 4-fall / 2-fall hook block.

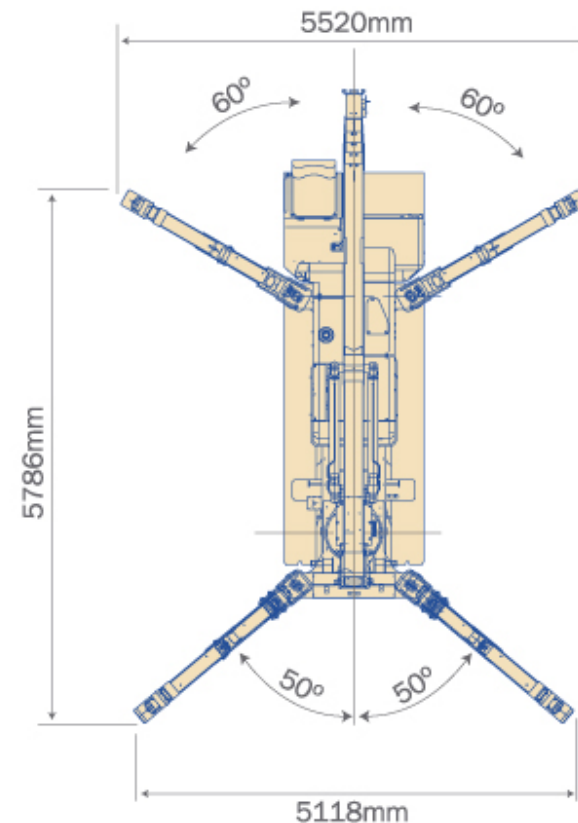
Optional equipment
 Radio remote control, white rubber tracks, single fall hook, searcher hook, fly-jib.

For further details please contact Kranlyft.

Due to improvements, the specifications are subject to change without notice.

Total rated load (4 falls) Outriggers at Maximum position

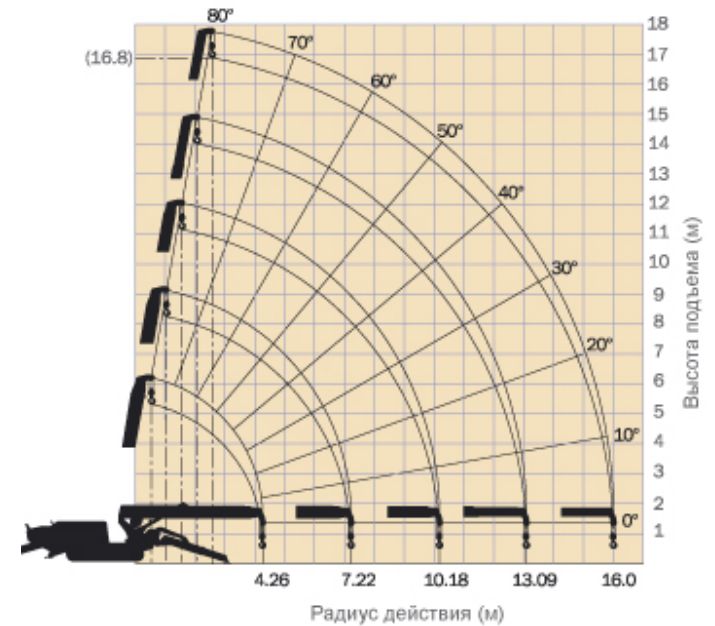
4.735m/7.695m boom		10.655m boom		13.565m boom		16.475m boom	
Working radius (m)	Total rated load (kg) radius (m)	Working radius (m)	Total rated load (kg) radius (m)	Working radius (m)	Total rated load (kg)	Working radius (m)	Total rated load (kg)
< 2.7	3830	3.5	3030	4	2230	5	1130
3.5	3030	4	2580	4.5	1930	5.5	980
4	2580	5	2030	5	1730	6	910
5	2030	6	1680	6	1400	7	760
6	1680	7	1380	7	1180	8	650
7	1380	8	1130	8	1030	9	600
7.25	1330	9	880	9	930	10	550
		10.2	580	10	830	11	490
				11	690	12	440
				12	530	13	380
				13.1	430	14	320
						15	260
						16	210



Working Range Chart

Total rated load (4 falls) Outriggers at Intermediate position

4.735m/7.695m boom		10.655m boom		13.565m boom		16.475m boom	
Working radius (m)	Total rated load (kg) radius (m)	Working radius (m)	Total rated load (kg) radius (m)	Working radius (m)	Total rated load (kg)	Working radius (m)	Total rated load (kg)
< 2.7	3830	3.5	3030	4	2230	5	1130
3.5	3030	4	2580	4.5	1830	5.5	980
4	2580	5	1880	5	1630	6	910
5	1880	6	1430	6	1330	7	730
6	1430	7	1130	7	1080	8	630
7	1160	8	880	8	880	9	550
7.25	1120	9	740	9	730	10	480
		10.2	490	10	530	11	430
				11	480	12	380
				12	430	13	330
				13.1	330	14	280
						15	220
						16	180



Total rated load (4 falls) Outriggers at Minimum position

4.735m/7.695m boom		10.655m boom		13.565m boom		16.475m boom	
Working radius (m)	Total rated load (kg) radius (m)	Working radius (m)	Total rated load (kg) radius (m)	Working radius (m)	Total rated load (kg)	Working radius (m)	Total rated load (kg)
< 2.7	3830	3.5	3030	4	2230	5	1130
3.5	3030	4	2580	4.5	1830	5.5	980
4	2580	5	1680	5	1630	6	880
5	1680	6	1180	6	1180	7	730
6	1180	7	880	7	830	8	530
7	930	8	730	8	680	9	450
7.25	780	9	580	9	550	10	420
		10.2	400	10	430	11	370
				11	380	12	330
				12	350	13	280
				13.1	310	14	240
						15	190
						16	150

The Working Range Chart does not take into account boom deflection under load. The maximum reach below ground level is:

Four Fall	Two Fall	Single Fall
20.50m	41.00m	82.00m

The Total Rated Load Charts are based on the actual working radius including boom deflection. The weight of the hook (standard 4 fall - 30kg) must be included as part of the load shown in the Total Rated Load Charts.

When using two fall or single fall hooks, use the appropriate four fall Total Rated Load Chart above but with a maximum load of: Two Fall - 1930kg, Single Fall - 970kg.

If you have problems printing the technical specification graphics you will have to turn on 'Print background colors and images' within your browser settings.



Mini Crawler Cranes
www.maesei.co.jp

Kranlyft UK Ltd
Tel +46 31 807019
Email info@kranlyft.co.uk
www.kranlyft.com