

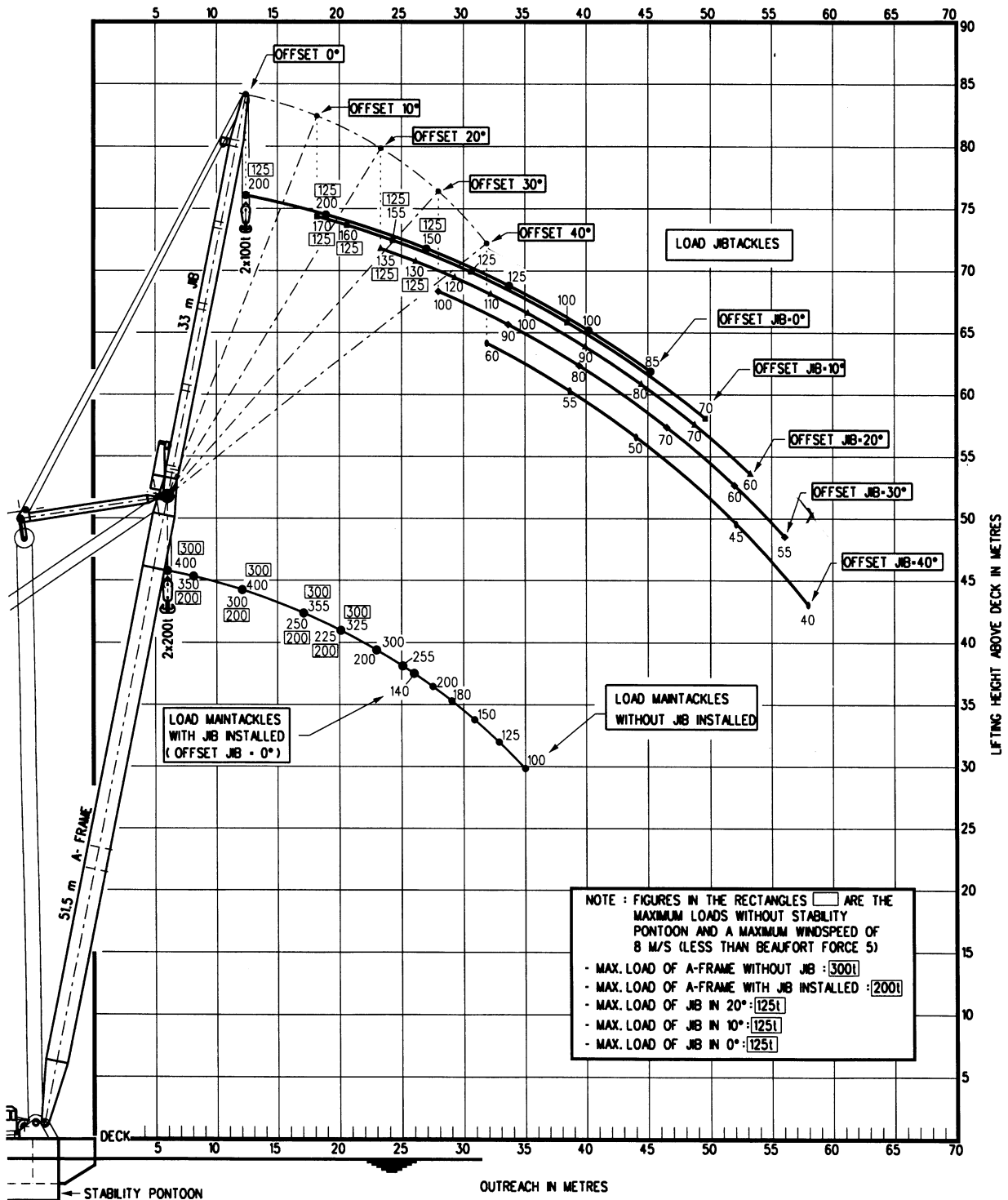
# TROSVIKGUBBEN AS

TAKLIFT – 400 tonn FLOATING CRANE



**NOTES :**

- BOTH MAIN TACKLES AND JIB TACKLES CAN OPERATE TOGETHER, LOAD CAPACITY ON REQUEST.
- JIB OFFSET 15° NOT ISSUED, LOAD CAPACITY ON REQUEST.
- LOADS IN METRIC TON [ ( ) ].



**CAPACITY DIAGRAM TAKLIFT**

DATE : JANUARY 1999



# TAKLIFT

## SEAGOING FLOATING SHEERLEG 400 TONNES LIFT CAPACITY

### General

Call Sign CK 7608  
Classification BV I 3/3 (-)  
Port of Registry Brevik

### Dimensions

Length 50.02 m  
Beam 20.62 m  
Beam 28.75 m  
(with support pontoon)  
Depth 3.60 m  
Draught min. 1.60 m  
Draught max. 3.00 m  
Sailing height 89.00 m  
(main legs and 33 m jib)  
Sailing height 21.00 m  
(sea passage)  
Gross tonnage 994 R.T.  
Net tonnage 298 R.T.

### Accommodation

9 persons

### Propulsion

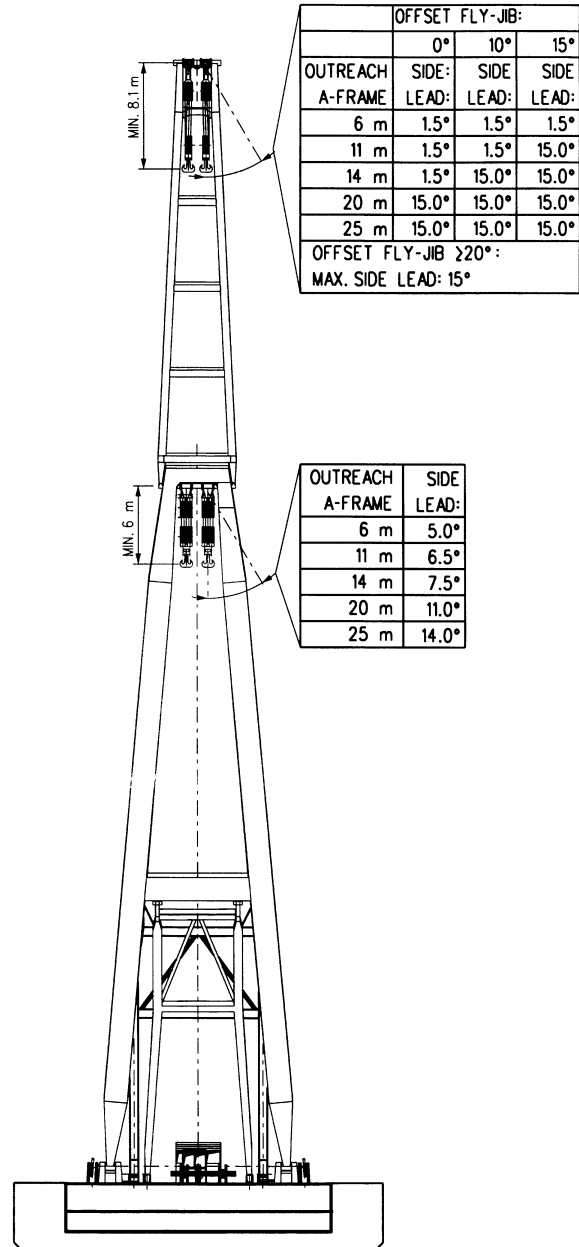
2 x 245 kW Schottel rudder propeller

### Anchor winches

Aft 2 x 3.0 T. Cap. 400 m  
of 32 mm diam. steel wire  
Fore 1 x 2.0 T. Cap. 150 m  
of 38 mm diam. chain

### Mooring winches

Aft 2 x 11 T. Cap. 220 m  
22 mm diam. steel wire  
Fore 4 x 11 T. Cap. 350 m  
26 mm diam. steel wire  
Midships 2 x 5 T. Cap. 110 m  
20 mm diam. steel wire



Company address

### Trosvikgubben AS

Bedriftsveien 10  
Postboks 2683  
3702 SKIEN  
Phone office: +47 35 50 59 50  
Fax office: +47 35 50 59 60  
Phone on board: +47 91 13 13 77  
Fax on board: +47 97 48 13 77