



## Maeda MC-305 Technical

### Specification

Model	MC305CRM(E)
Crane capacity	2.98t x 2.5m
Max. working radius	12.16m
Max. lifting height	12.52m
Hook speed	13.5m / min. (4 falls, 4th layer)
Single line speed	54m / min. (4th layer)
Hoist rope	IWRC 6 x WS(26) 8mm x 73m
Telescopic system	
Boom length	3.695m - 12.485m
Telescoping speed	8.79m / 38 sec. (26 sec.)
Boom type	Fully automatic 5 section pentagonal telescopic boom

### Boom hoist system

Hoist angle / speed 0 - 80° / 21 sec. (14.5 sec.)

### Slew system

Slew angle / speed 360° / 2.4 rpm (1.7 rpm)

### Outrigger system

Type Extension and set up by direct acting hydraulic cylinders

Maximum extended dimensions (Length) 4888mm x (Front) 4504mm  
x (Rear) 4396mm

### Traction system

Drive Hydraulic motor driven, stepless speed changer

Travel speed 0 - 2.8 km/h (1.3 km/h)

Gradability 23°

Crawler length x width 1750mm x 300mm

Ground pressure 36.3 kpa (0.37 kgf/cm<sup>2</sup>)

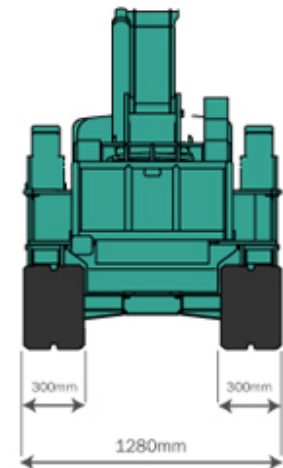
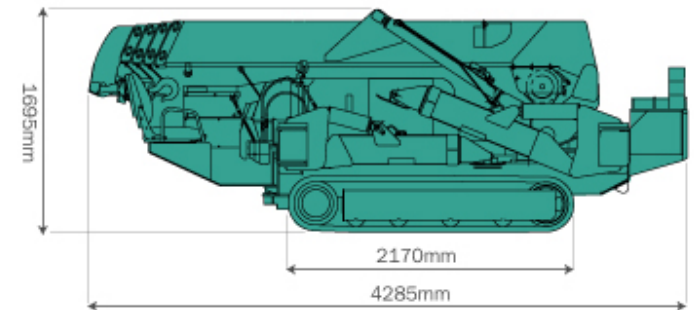
### Engine

Model Yanmar 3TNV76

Type 3 cylinder water cooled diesel

Rated output 15.2kw / 2500min<sup>-1</sup> (20.7PS/2500rpm)

### Overall Size



### Outrigger Spread Dimensions

Starting method Electric  
 Fuel / Fuel tank capacity Diesel / 40L  
 Electric motor MC305CRME  
 Type Totally enclosed fan-cooled motor  
 Size 5.5kw, 4P 380V  
 Remote control system  
 Type Cable remote controller, micro-speed mode, load display for transmitter, outrigger operation

Dimensions  
 Length x Width x Height 4285mm x 1280mm x 1695mm  
 Weight MC305CRM 3900kg  
 Weight MC305CRME 4040kg

Standard equipment  
 Overwind protection, load indicator, hydraulic safety valve, wire rope latch, level, machine body inclination alarm, EMO switch, travel lock lever, outrigger interlock device, moment limiter, rotary lamp, hour-meter, 4-fall / 2-fall hook block

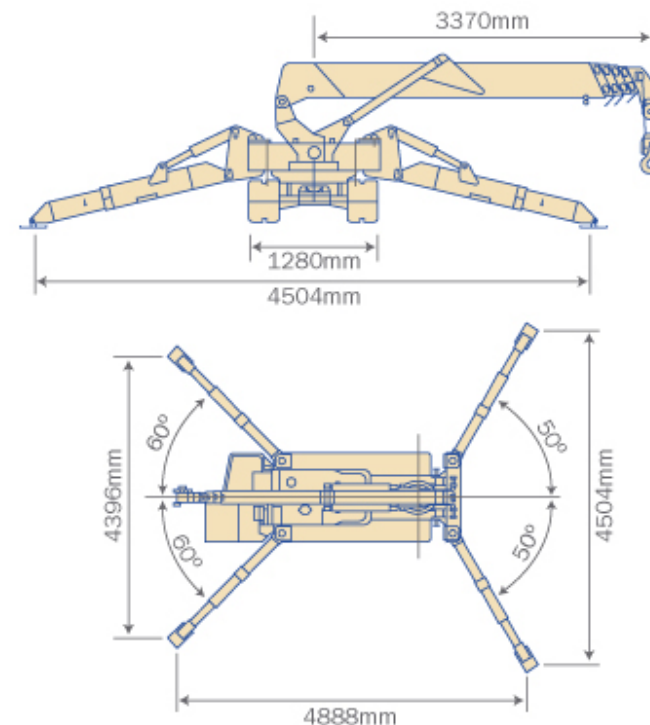
Optional equipment  
 Radio remote control, white rubber tracks, single fall hook, searcher hook.

For further details please contact Kranlyft.

Due to improvements, the specifications are subject to change without notice.

Total rated load Outriggers at Maximum position

5.945m boom		8.145m boom		10.315m boom		12.485m boom	
Working radius (m)	Total rated load (kg)	Working radius (m)	Total rated load (kg)	Working radius (m)	Total rated load (kg)	Working radius (m)	Total rated load (kg)
< 2.5	2980	2.7	2270	4	1080	< 4.5	790
3	2390	3	2120	4.5	985	5	660
3.5	1990	3.5	1680	5	880	6	520
4	1710	4	1440	6	770	7	430
4.5	1490	4.5	1260	7	670	8	380
5	1340	5	1110	8	570	9	340
5.62	1160	5.5	990	9	500	10	310
		6	880	9.99	435	11	280
		7	730			12.16	260
		7.82	630				



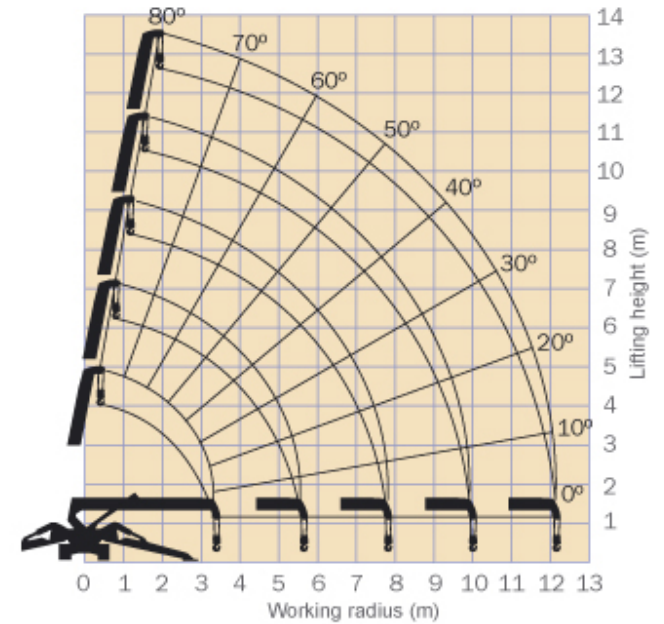
Working range chart

**Total rated load Outriggers at Intermediate position**

5.945m boom		8.145m boom		10.315m boom		12.485m boom	
Working radius (m)	Total rated load (kg)	Working radius (m)	Total rated load (kg)	Working radius (m)	Total rated load (kg)	Working radius (m)	Total rated load (kg)
< 2.5	2980	2.7	2270	4	1060	< 4.5	780
3	2390	3	2090	4.5	950	5	650
3.5	1960	3.5	1680	5	860	6	500
4	1680	4	1420	6	750	7	410
4.5	1380	4.5	1240	7	630	8	360
5	1140	5	1070	8	490	9	320
5.62	950	5.5	950	9	410	10	290
		6	800	9.99	350	11	260
		7	610			12.16	250
		7.82	520				

**Total rated load Outriggers at Minimum position**

5.945m boom		8.145m boom		10.315m boom		12.485m boom	
Working radius (m)	Total rated load (kg)	Working radius (m)	Total rated load (kg)	Working radius (m)	Total rated load (kg)	Working radius (m)	Total rated load (kg)
< 2.5	2980	2.7	2270	4	1060	< 4.5	780
3	2350	3	2090	4.5	950	5	650
3.5	1800	3.5	1680	5	860	6	500
4	1430	4	1370	6	680	7	410
4.5	1140	4.5	1120	7	530	8	360
5	950	5	910	8	420	9	320
5.62	790	5.5	790	9	340	10	290
		6	670	9.99	300	11	240
		7	510			12.16	210
		7.82	430				



The Working Range Chart does not take into account boom deflection under load. The maximum reach below ground level is:

Four Fall	Two Fall	Single Fall
16.09m	32.18m	64.36m

The Total Rated Load Charts are based on the actual working radius including boom deflection. The weight of the hook (standard 4 fall - 30kg) must be included as part of the load shown in the Total Rated Load Charts.

When using two fall or single fall hooks, use the appropriate four fall Total Rated Load Chart above but with a maximum load of: Two Fall - 1480kg, Single Fall - 750kg.

If you have problems printing the technical specification graphics you will have to turn on 'Print background colors and images' within your browser settings.



Mini Crawler Cranes  
[www.maesei.co.jp](http://www.maesei.co.jp)

Kranlyft UK Ltd  
Tel +46 31 807019  
Email [info@kranlyft.co.uk](mailto:info@kranlyft.co.uk)  
[www.kranlyft.com](http://www.kranlyft.com)